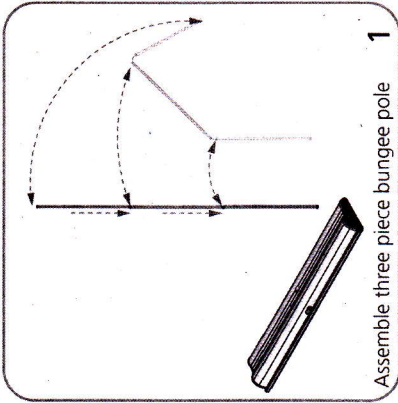
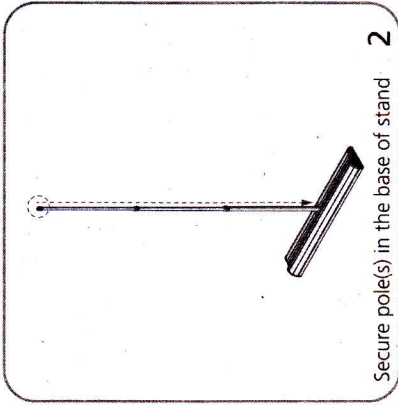


**Set-up**



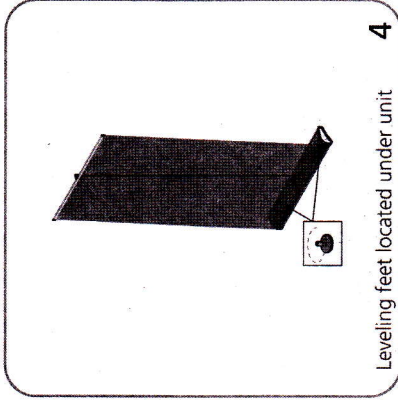
Assemble three piece bungee pole **1**



Secure pole(s) in the base of stand **2**

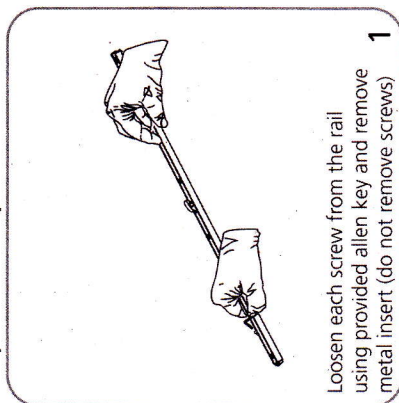


Gently lean the unit back and pull the graphic up by the top rail **3**

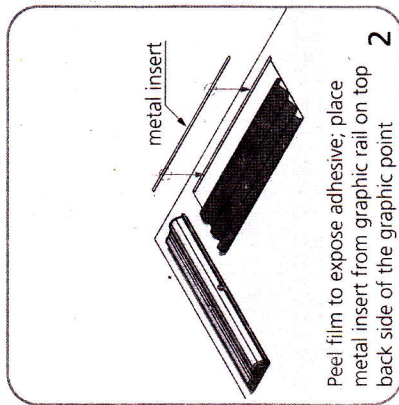


Leveling feet located under unit **4**

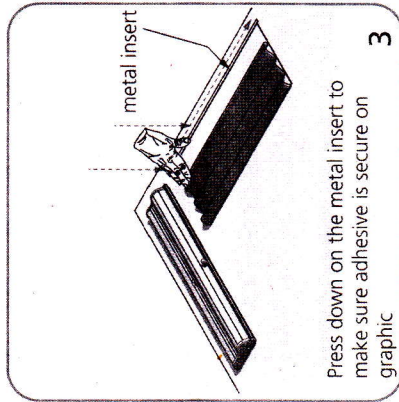
**Graphic to top rail attachment (metal attachment)**



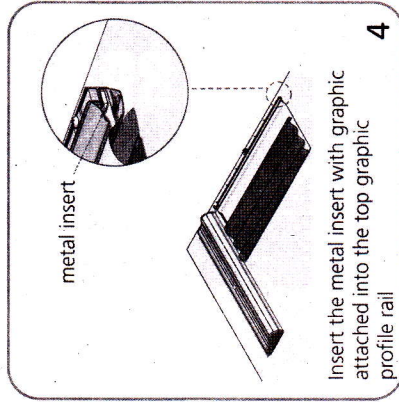
Loosen each screw from the rail using provided allen key and remove metal insert (do not remove screws) **1**



Peel film to expose adhesive; place metal insert from graphic rail on top back side of the graphic point **2**

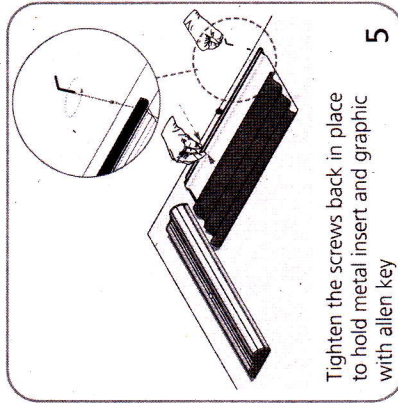


Press down on the metal insert to make sure adhesive is secure on graphic **3**

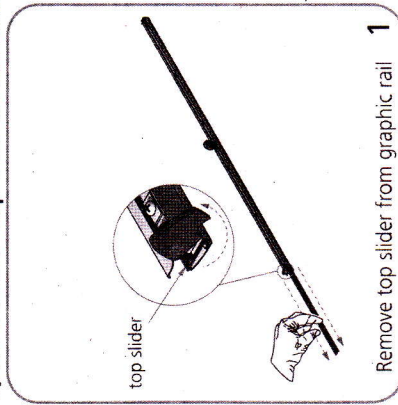


Insert the metal insert with graphic attached into the top graphic profile rail **4**

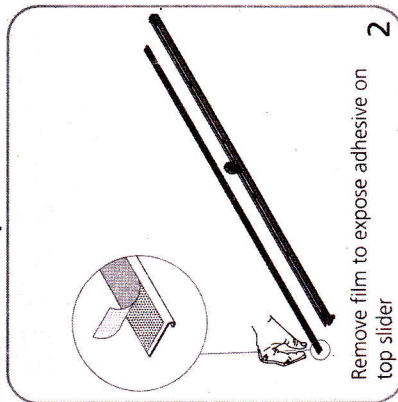
**Quick slide top rail attachment (plastic insert)**



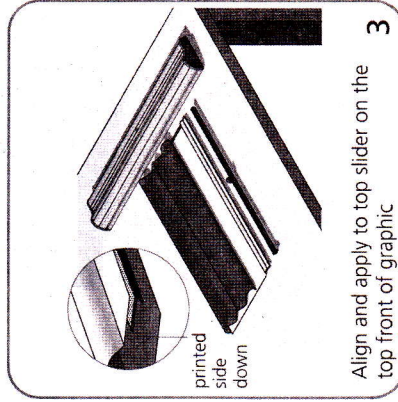
Tighten the screws back in place to hold metal insert and graphic with allen key **5**



Remove top slider from graphic rail **1**



Remove film to expose adhesive on top slider **2**



Align and apply to top slider on the top front of graphic **3**